

# VDZ HEFSYSTEMEMEN B.V. - Buren

## Order form

Telnr. +31 (0)6 531 860 14, Telnr. +31 (0)6 531 860 08

E-mail: [info@vdzsystemen.nl](mailto:info@vdzsystemen.nl), [www.vdzsystemen.nl](http://www.vdzsystemen.nl)

### SCANIA 4 SERIES

Price set € 605,00

Number  € .....



Part nr: VDZ A10



### SET M.A.N. -> 2003/ MERCEDES -> 2011/ RENAULT AE

Price set € 412,50

Number  € .....



Part nr: VDZ P07



### SET VOLVO FM, FH

Price set € 412,50

Number  € .....



Part nr: VDZ P06



### SET DAF XF 105 <- 2013

Price set € 412,50

Number  € .....



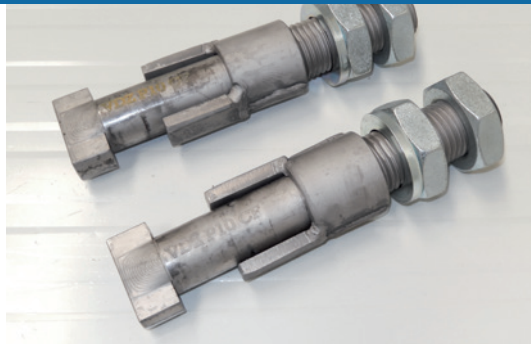
Part nr: VDZ P13



## SET DAF CF 85

Price set € 412,50

Number  € .....



Part nr: VDZ P10 CF



## HOOK EYES

Price set € 495,00

Number  € .....



Part nr: VDZ A11



## SPANNER 55 MM

Price per piece € 82,50

Number  € .....



Part nr: VDZ A50



## SPANNER 75 MM

Price per piece € 82,50

Number  € .....



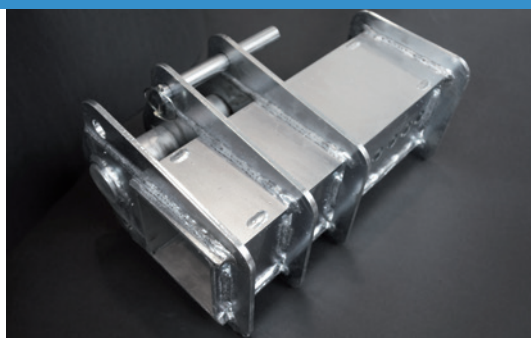
Part nr: VDZ A08



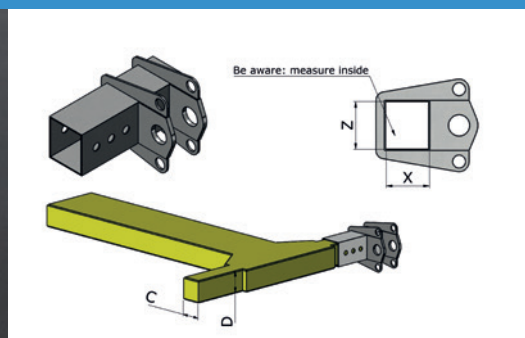
## SET BRO/EMPL/ FALKOM/ BRECHTEL/OMARS MILLER/VULCAN

Price set € 1045,00

Number  € .....



Part nr: Lifting Bracket



C = ..... X = ..... Z = .....

## SET VOLVO FH/FM -> 2013

Price set € 495,00

Number  € .....



Part nr: VDZ P25



## SET DAF XF 106/CF -> 2013

Price set € 495,00

Number  € .....



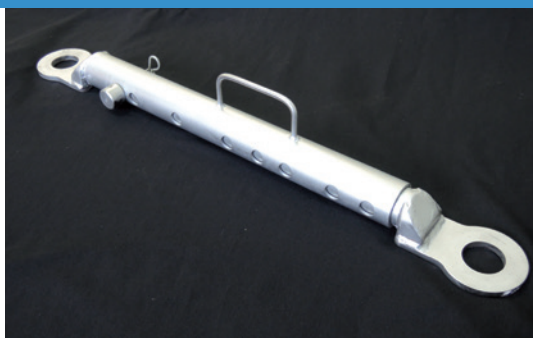
Part nr: VDZ P24



## SPREADER BAR ADJUSTABLE

Price per piece € 412,50

Number  € .....



Part nr: VDZ TRA01



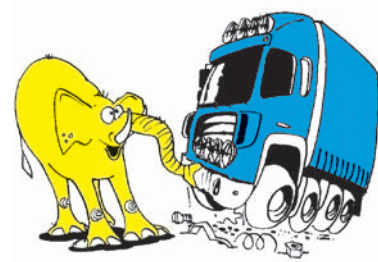
## TAP M45X3 MAN/MERCEDES/ RENAULT

Price per piece € 137,50

Number  € .....



Part nr: VDZ 26580



**VDZ Hefsystemen B.V.**

## WINCH EYES

Price set € 495,00

Number  € .....



Part nr: VDZ A12



## SCANIA S-SERIE ADAPTERS

Price set € 990,00

Number  € .....



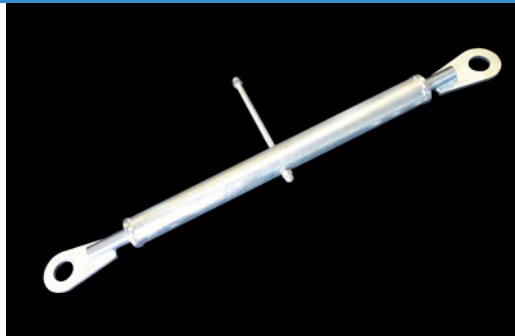
Part nr: VDZ P70



## EURO 6 SPREADER BAR SCREW TYPE

Price per piece € 412,50

Number  € .....



Part nr: VDZ TRAV SCAN-S



## EXTRA PARTS

### SCANIA WINCHING EYES

Price set € 385,00

Number  € .....



Part nr: VDZ SCA2627



### TOWING JAW

Price per piece € 181,50

Number  € .....



Part nr: VDZ AK01



### AXLE STRAPS SECURING

Price set € 143,00

Number  € .....



Part nr: VDZ KT110

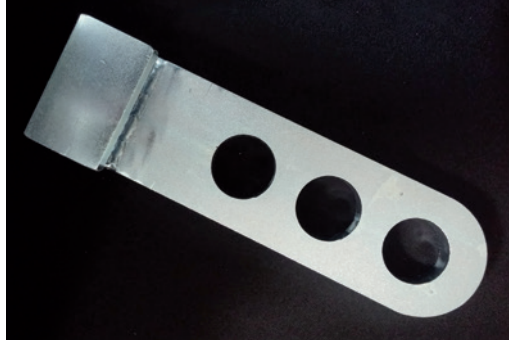


# EXTRA PARTS

## CHASSIS WINCH PLATE 10/1 OR 10/2

Price per piece € 126,50

Number  € .....



Part nr: VDZ WP10/1 A06



## CHASSIS WINCH PLATE 20/1 OR 20/2

Price per piece € 137,50

Number  € .....



Part nr: VDZ WP20/2 A02



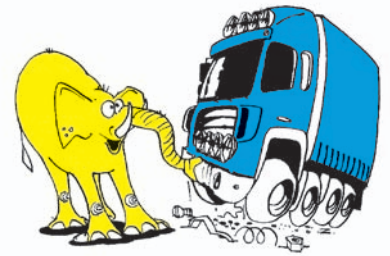
## TAP M30X3,5 VOLVO/RENAULT

Price per piece € 126,50

Number  € .....



Part nr: VDZ 38578



**VDZ Hefsystemen B.V.**

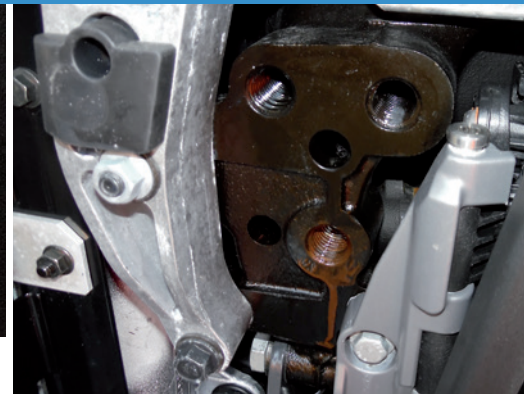
## TAP M20X2,5 SCANIA S+R SERIE

Price per piece € 35,00

Number  € .....



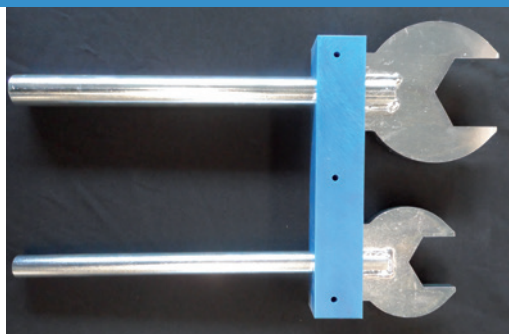
Part nr: VDZ 27366



## SPANNER HOLDER

Price per piece € 49,50

Number  € .....



Part nr: VDZ SH P05



# EXTRA PARTS

## LIGHTBAR HOLDERS

Price set € 38,50

Number  € .....



Part nr: VDZ LB054



## 17 MM 1/2 SQUARE HEY SOCKET

Price per piece € 35,00

Number  € .....



Part nr: VDZ INBD17



## STANDARD FORK HOLDER

For all systems

Price set € 385,00

Number  € .....



Part nr: VDZ VH001

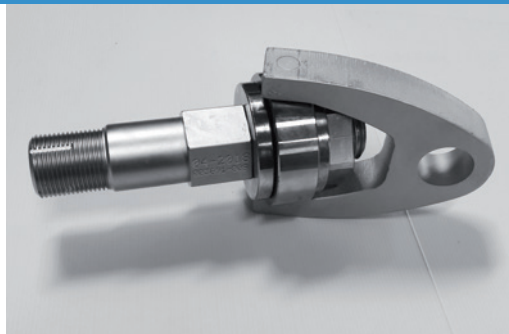


## SWIVEL WINCHING ADAPTOR

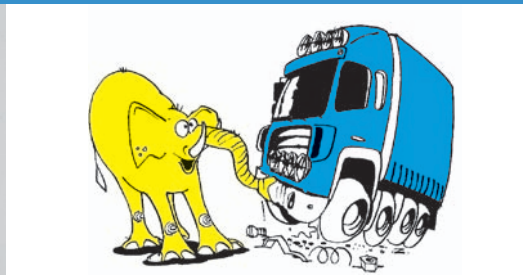
Max 10 tons

Price set € 632,50

Number  € .....



Part nr: DRK 01



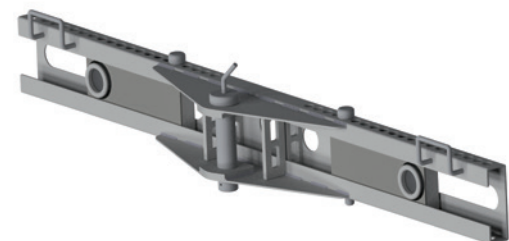
**VDZ Hefsystemen B.V.**

## ADJUSTABLE TOWING BRACKET

For VDZ adaptors

Price per piece € 632,50

Number  € .....



Part nr: TRA 03



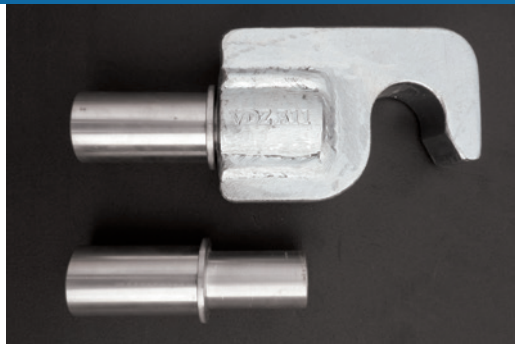
# EXTRA PARTS

## MOUNTING PINS

Stowage system

Price per piece € 27,50

Number  € .....



Part nr: VDZ P01



## ADJUSTABLE STORAGE SYSTEM

Incl. 2 uprights, 3 crossbars with mounting holes, 4 mounting pins

Price set € 675,00

Number  € .....



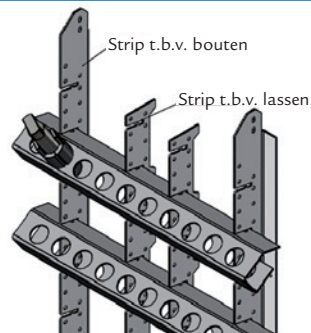
Part nr: VDZ KIT KA09



## ADJUSTABLE MOUNTING STRIP

Price per piece € 95,00

Number  € .....



Part nr: VDZ SCH LI01/RE02



## CROSSBAR

with 6 holes € 125,00

with 8 holes € 145,00

with 10 holes € 165,00

Price per piece

Number  € .....



Part nr: VDZ DWB 06

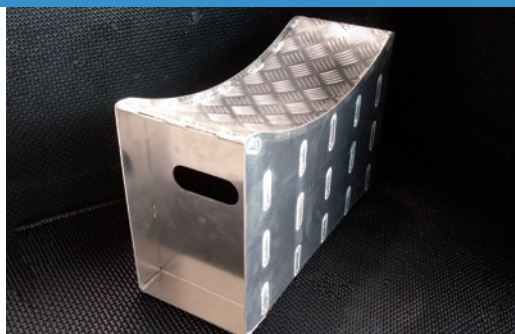


## WHEELSTANDS

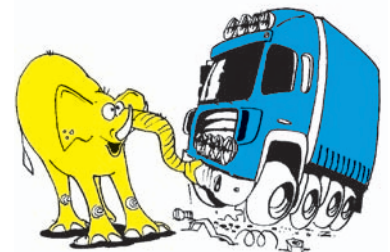
Price set

vanaf € 525,00

Number  € .....



Part nr: VDZ WB 01



**VDZ Hefsystemen B.V.**

# CONFIRMATION

Firm: .....

Contact: .....

Address: .....

Zip code: ..... Place: .....

Phone nr: ..... Faxnr: .....

Mobile: ..... E-mail: .....

Bank account: .....

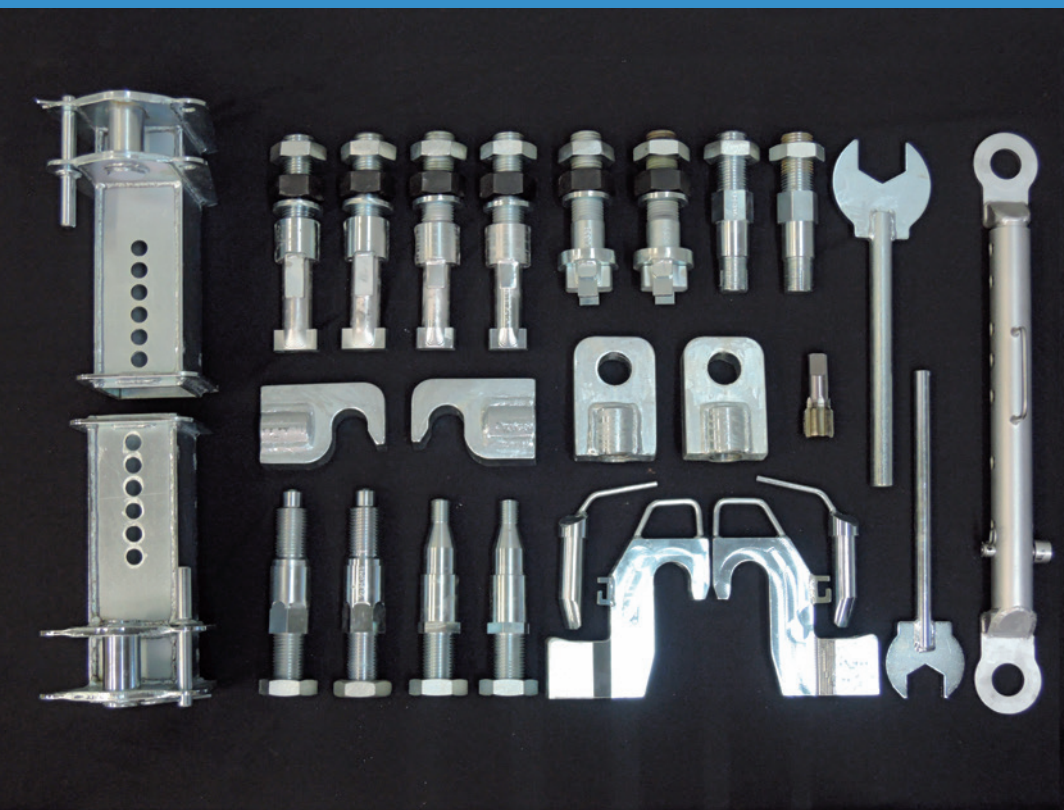
ID nr/VAT nr: .....

Signature VDZ Hefsystemen:

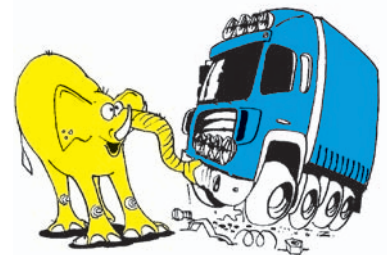
Signature client:

Date:

Prices in this quotation are valid for 3 months after the quotation date

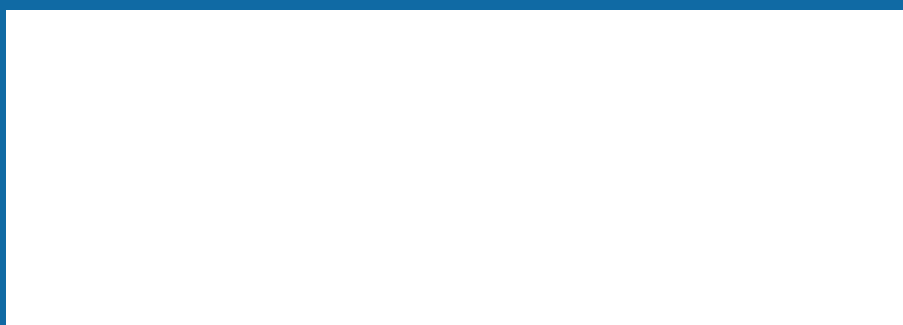


## BASIC KIT – 24 PIECES



**VDZ Hefsystemen B.V.**

**DEALER**



On all our agreements, the general terms and conditions of VDZ Hefsystemen B.V. are applicable.